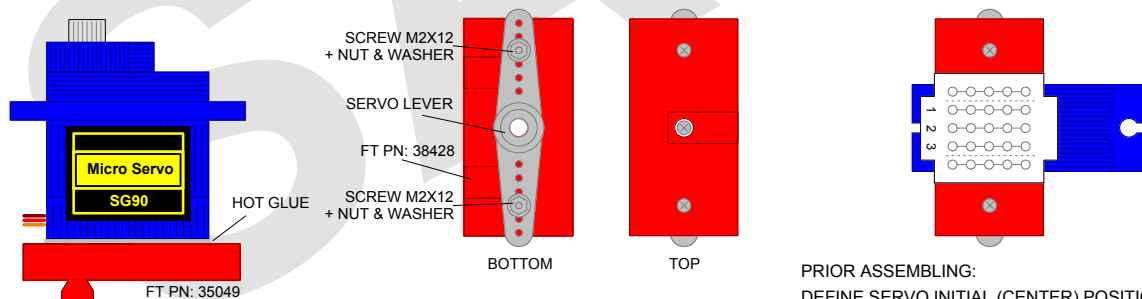
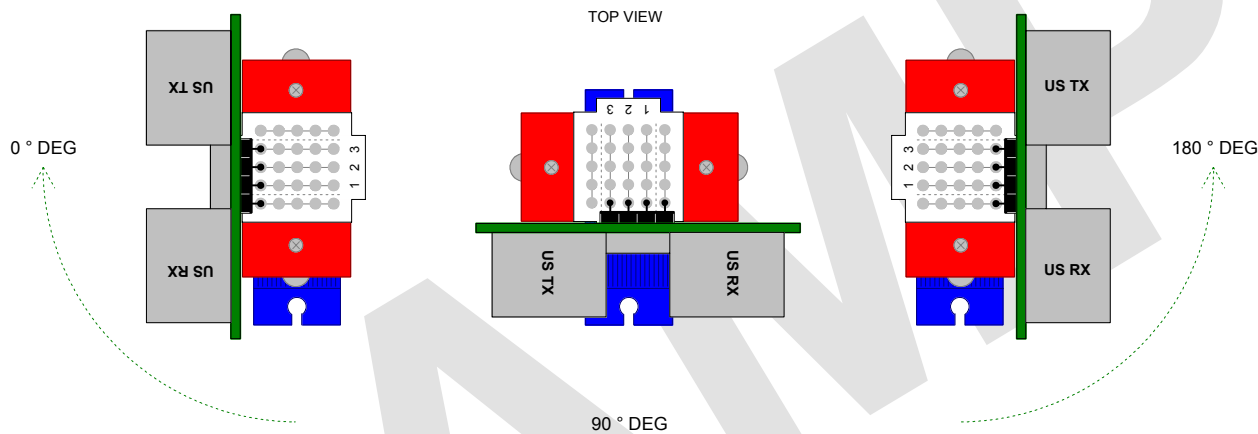
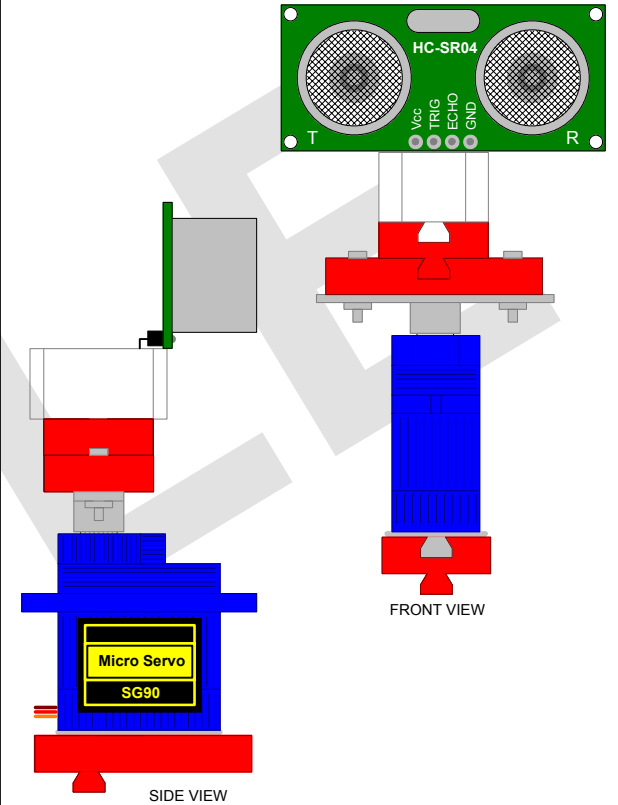
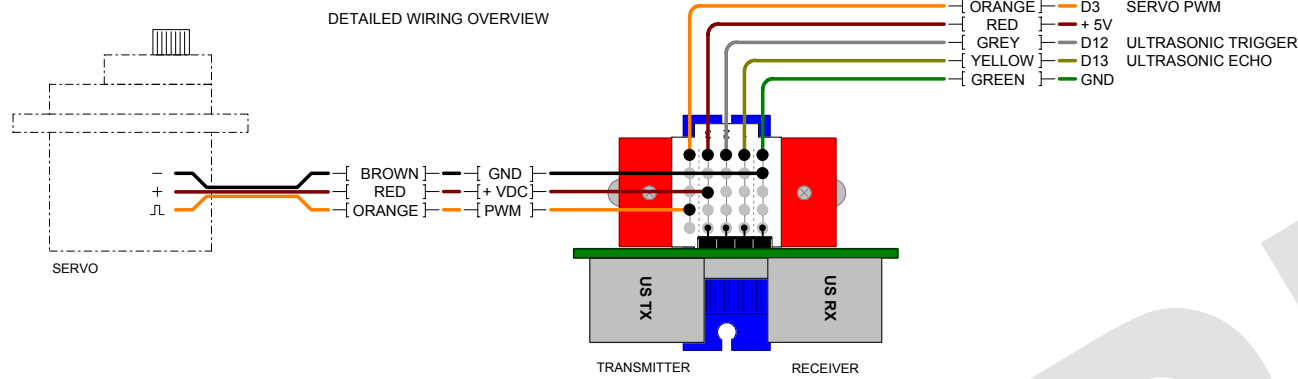


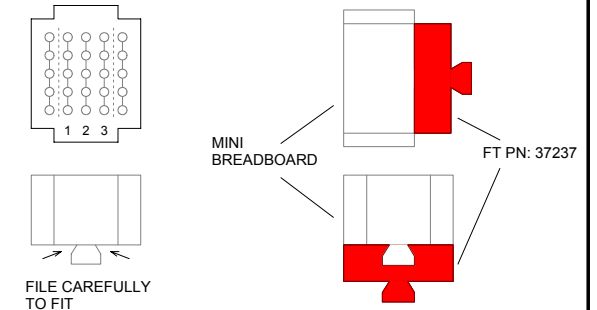
05-05d SERVO ANGLE POSITIONING ASSEMBLY WITH ULTRASONIC RANGING MODULE CONTROLLED WITH ARDUINO DEVELOPMENT BOARD DETAILED CONSTRUCTION DIAGRAM

ASSEMBLY FRONT & SIDE VIEW AT 90° DEG SERVO POSITION:



PRIOR ASSEMBLING:
DEFINE SERVO INITIAL (CENTER) POSITION AT 90°
ue_FT-A03-STEM_05-05-A_L9110_HBridge_Module.ino

DIY 25 TIE POINT MINI BREADBOARD ADAPTER



FIGURES ARE APPROXIMATELY, DUE TO COMPONENT TOLERANCES!
FOR FULLY COMPONENT SPECS. SEE MANUFACTURER DATASHEETS.
BRANDS AND NAMES ARE MENTIONED PURELY FOR INFORMATION PURPOSES.

STEM-A03	A4	udo@elgers.com	ue-ERT20231111-04	11-NOV-2023
069	A	L9110 MOTOR CONTROL WITH FISCHERTECHNIK		