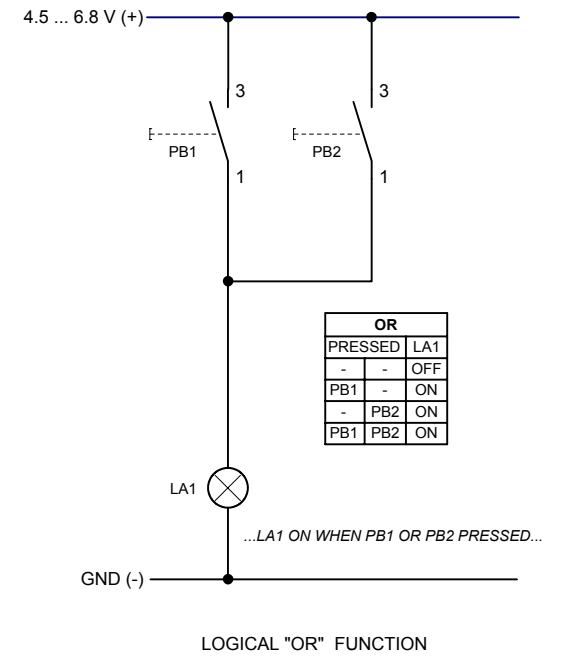


TWO (NO) MINI PUSH BUTTON IN PARALLEL



FIGURES ARE APROXIMATELY, DUE TO COMPONENT TOLERANCES!
 FOR FULLY COMPONENT SPECS. SEE MANUFACTURER DATASHEETS.
 BRANDS AND NAMES ARE MENTIONED PURELY FOR INFORMATION PURPOSES.

| | | | | |
|------------|----|--|-------------------|-------------|
| STEM - V01 | A4 | udo@elgers.com | ue-ERT20230402-05 | 02-APR-2023 |
| 024 | A | FT - TWO MINI PUSH BUTTON (NO) IN PARALLEL | | |